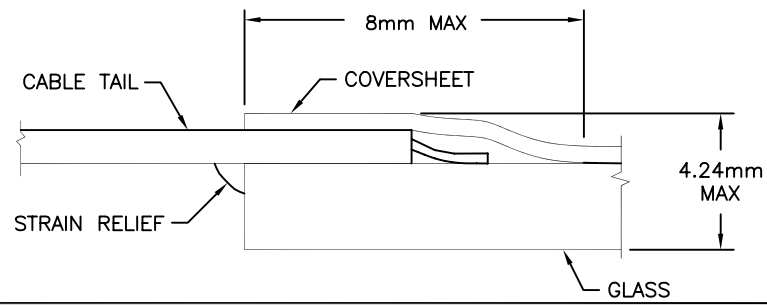
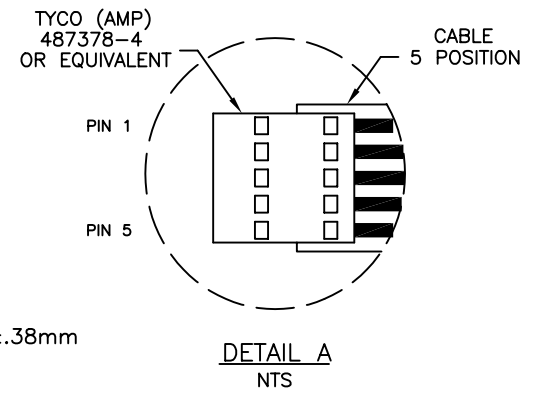
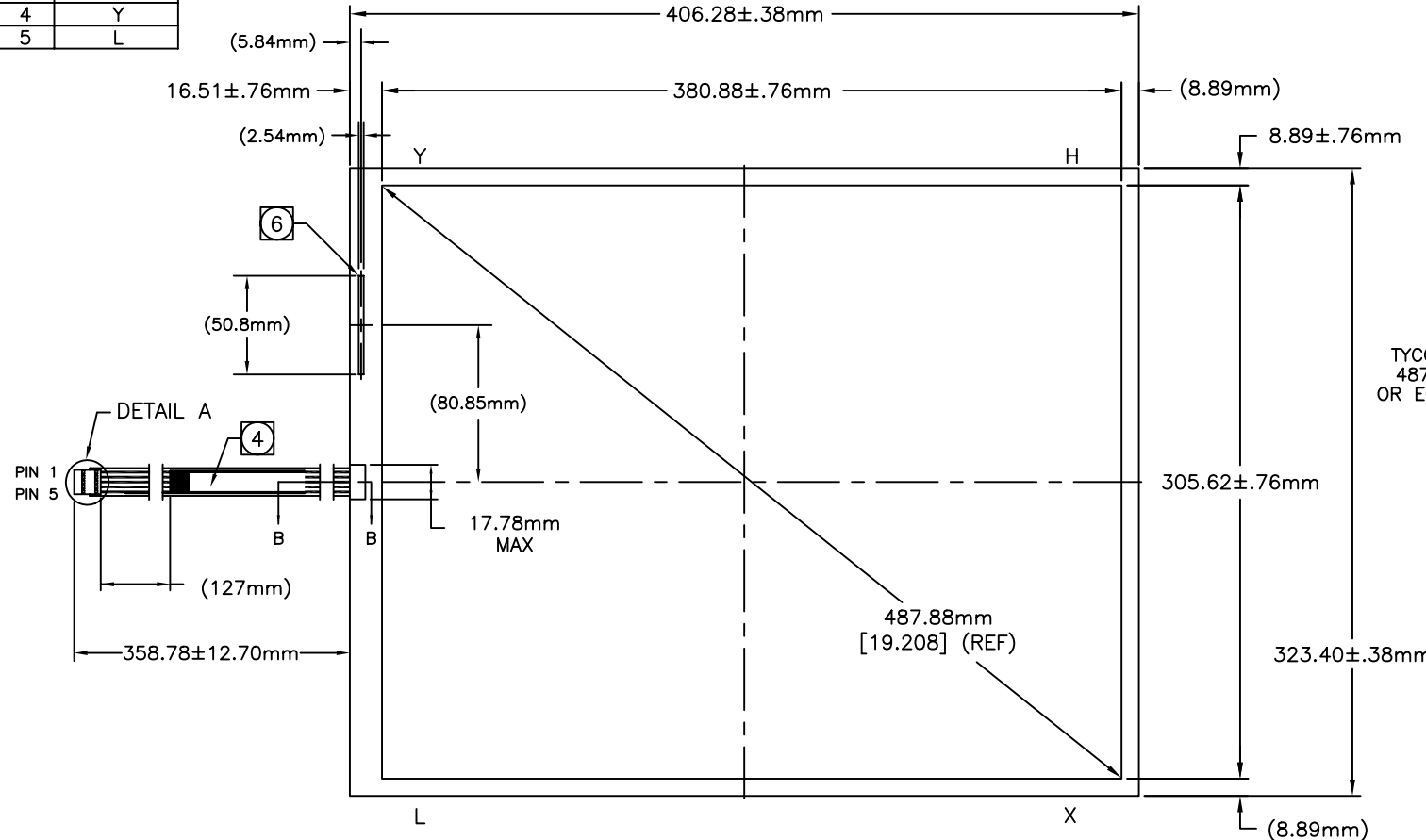


CONNECTOR PINOUT	
PIN NO.	DESIGNATION
1	H
2	X
3	S
4	Y
5	L

ACCUTOUCH® TOUCHSCREEN  
 SCN-A5-FLT19.0-Z01-OH1-R  
 ELO P/N: E863464

**NOTES:**

- GLASS THICKNESS 3.18mm NOMINAL.
- FINISHED PART THICKNESS 3.48mm NOMINAL.
- FINISHED PART THICKNESS AT CABLE ATTACHMENT AREA 4.24 MAX.
- LABEL TO BE ATTACHED TO FRONT SIDE OF CABLE.
- CABLE IS ATTACHED TO THE LEFT SIDE OF TOUCHSCREEN AT CENTER POINT AS SHOWN.
- FINISHED PART THICKNESS AT THE COVERSHEET CONTACT 3.86mm MAX.



UNLESS OTHERWISE SPECIFIED:  
 DIMENSIONS ARE IN mm

SECTION B-B  
 NTS

